

USR-TCP232-T2 Hardware Manual

File version: 1.2.01



Content

USR-TCP232-T2 Hardware Manual	1
1. Product Overview	3
1.1. Dimension	3
1.2. Pin Definition	3
1.3. Ethernet interface LED	5
2. Hardware Design	6
2.1. Typical Connection	6
2.2. Power Interface	6
2.3. UART Interface	6
3. Contact	8
4. Disclaimer	8
5. Update History	8

1. Product Overview

1.1. Dimension

Module size: 50.5*22.6mm. Module dimension diagram as follow:

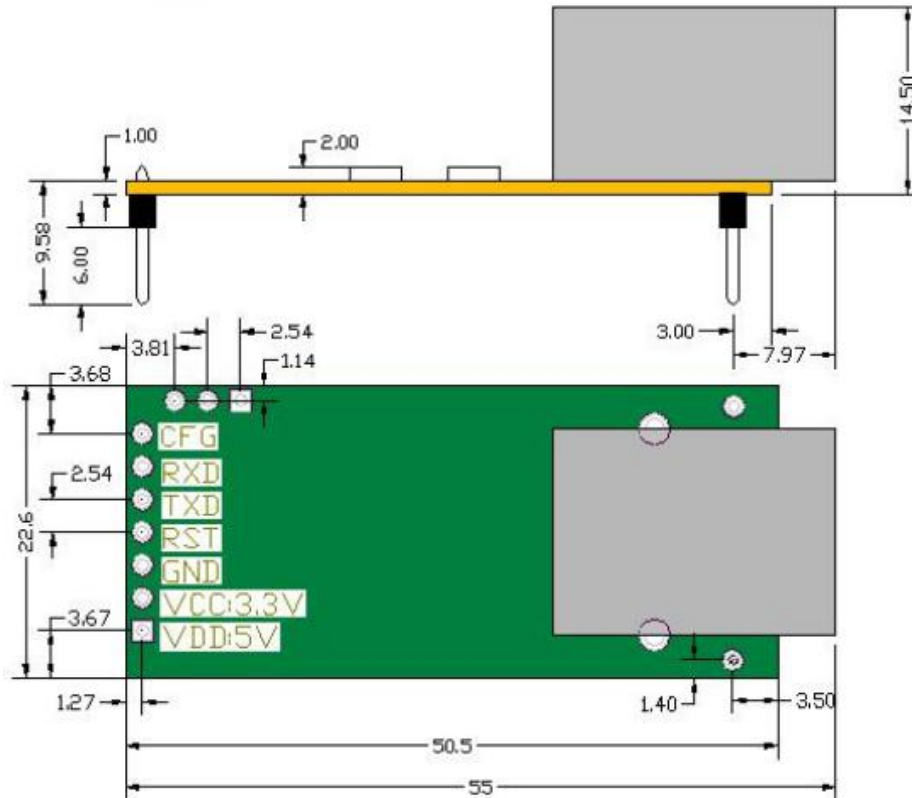
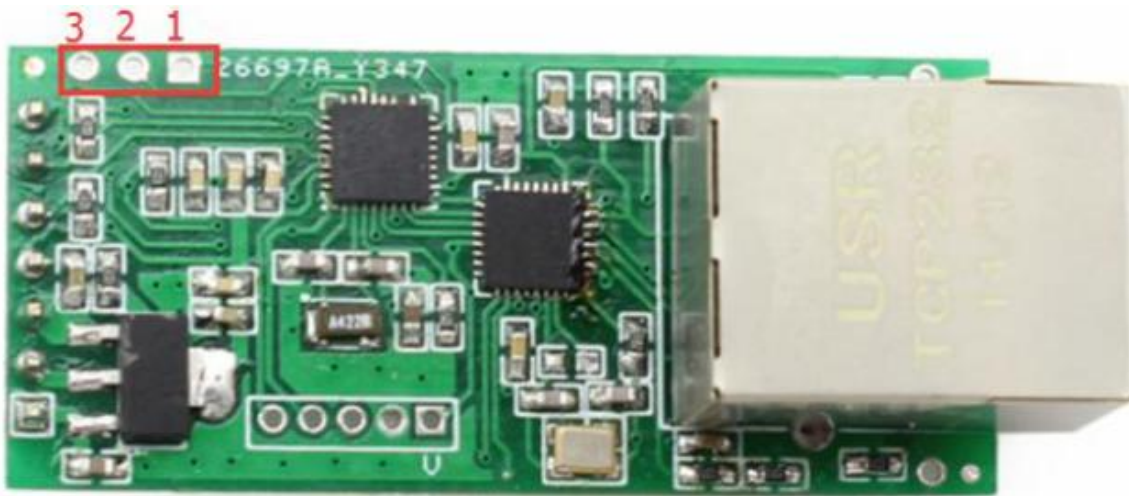


Figure 1 Dimension diagram

1.2. Pin Definition



PIN	Name	Signal Type	Definition
1	VDD	P	Power supply: 5V@200mA.
2	VCC	P	Power supply: 3.3V@ 200mA.
3	GND	P	Power ground
4	RST	I	Resetting the module and taking effect in low level. Inputting low level for 300ms to reset the module. Note: User can connect RST pin to MCU I/O to reset the module through MCU controlling.
5	UART_TXD	O	Serial port TX pin, TTL interface. Can connect to 3.3V level MCU directly and user can refer to 2.3. UART Interface to connect to 5V level MCU.
6	UART_RXD	I	Serial port RX pin, TTL interface. Can connect to 3.3V level MCU directly and user can refer to 2.3. UART Interface to connect to 5V level MCU.
7	CFG	I	Configuration pin to enable user configure the module by serial port and is compatible with RELOAD pin. When module are working normally, make configuration pin not available or connect to high level.

Figure 2 Pin definition


PIN	Name	Signal Type	Definition
1	485_EN	Reserved pin	Can be used as RS485 controlling pin. High level to enable transmitting. User can configure by setup software.
2	LINK	Reserved pin	Can be used as indication pin to display network connection status. When module in TCP mode, LINK pin will output low level when connection established and output high level without connection. When module in UDP mode, LINK pin will always output low level.
3	ISP	Reserved pin	Not available now.

Figure 3 Reserved pin definition

1.3. Ethernet interface LED

Name	Function	Definition
Green LED	Displaying connection status.	Green LED will light when module connect to network.
Yellow LED	Displaying data transmission.	Yellow LED will blink when module have data transmission.

Figure 4 Ethernet interface LED

2. Hardware Design

2.1. Typical Connection

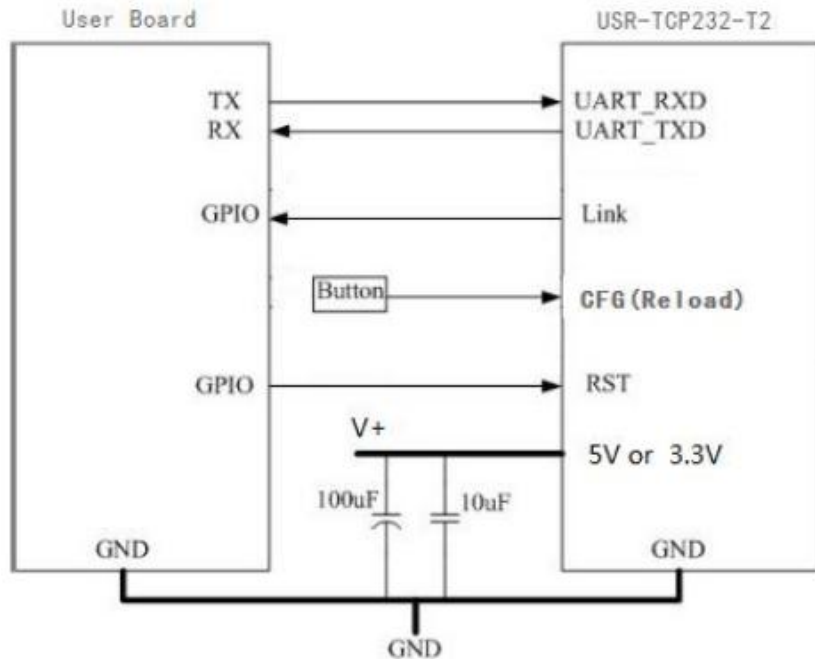


Figure 5 Typical connection

1. RST: Input pin. Resetting the module and taking effect in low level. RST pin connect to internal 10K Ohm pull-up resistor to 3.3V. Pull down over 300ms and release to reset the module.
2. Link: Output pin. Output low level when module establish network connection .
3. CFG(Reload): Can connect to external button or configuration pin. Press over 3s and release to restore default settings. Reload pin connect to internal 10k Ohm pull-up resistor to 3.3V.

2.2. Power Interface

USR-TCP232-T2 adopt 3.3V/5V dual power supply and they can't be used simultaneously. Peak current about 200mA and working current about 150mA.

1. VCC: 3.3V DC power supply. Voltage range: 3.0~3.6V and be suitable for 3.3V MCU.
2. VDD: 5V DC power supply. Voltage range: 4.75V~5.5V. When user connect to 5V MCU, please refer to **2.3. UART Interface** switching circuit .

2.3. UART Interface

UART is serial data interface that can connect the RS-232 chip and transfer to the RS-232 level. UART interface includes TXD/RXD. Take the RS-232 level as a reference circuit diagram as follow:

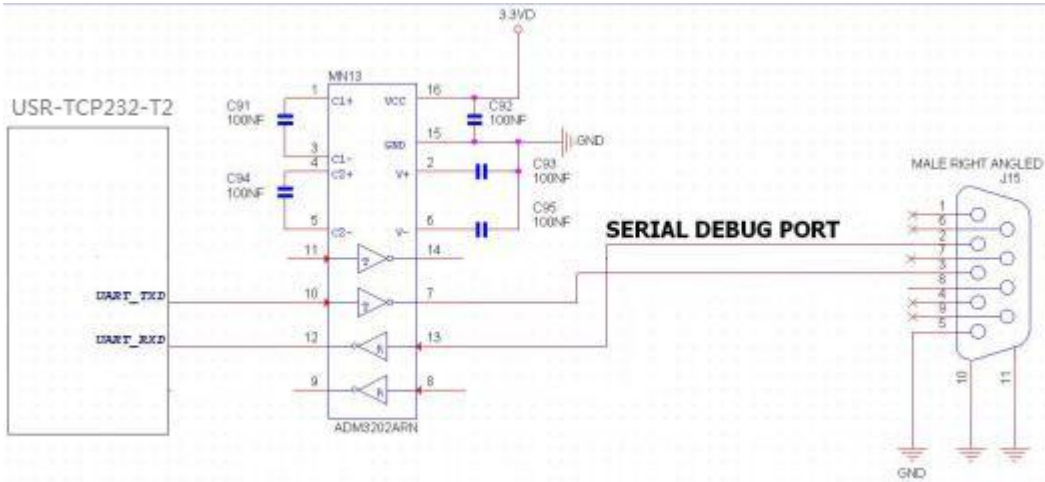


Figure 6 UART interface

When communicate to MCU with 3.3V, just connecting TXD of module to RXD of MCU and RXD of module to TXD of MCU. When communicate to MCU with 5V, switching circuit is necessary. Switching circuit diagram as follows:

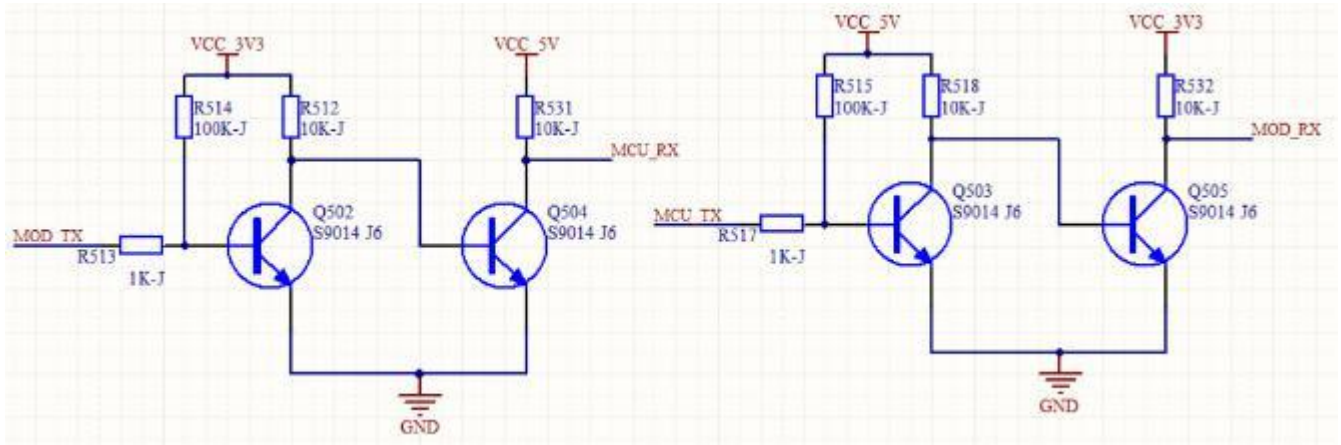


Figure 7 Switching circuit

3. Contact

Company: Jinan USR IOT Technology Limited

Address: Floor 11, Building No.1, No.1166, Xinluo Street, Gaoxin District, Jinan city, Shandong province, 250101 China

Tel: 86-531-88826739

Web: www.usriot.com

Support: h.usriot.com

Email: sales@usr.cn

4. Disclaimer

This document provide the information of USR-TCP232-T2 products, it hasn't been granted any intellectual property license by forbidding speak or other ways either explicitly or implicitly. Except the duty declared in sales terms and conditions, we don't take any other responsibilities. We don't warrant the products sales and use explicitly or implicitly, including particular purpose merchant-ability and marketability, the tort liability of any other patent right, copyright, intellectual property right. We may modify specification and description at any time without prior notice.

5. Update History

2017-10-17 V1.2.01 created.